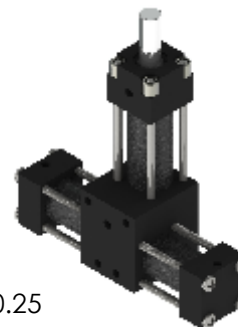
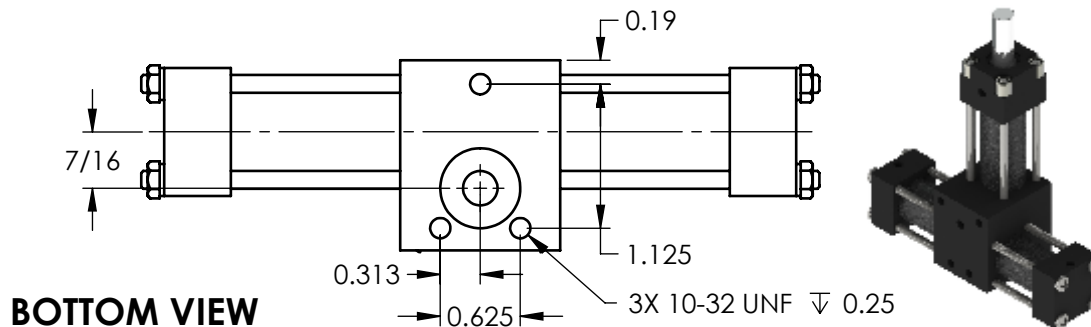
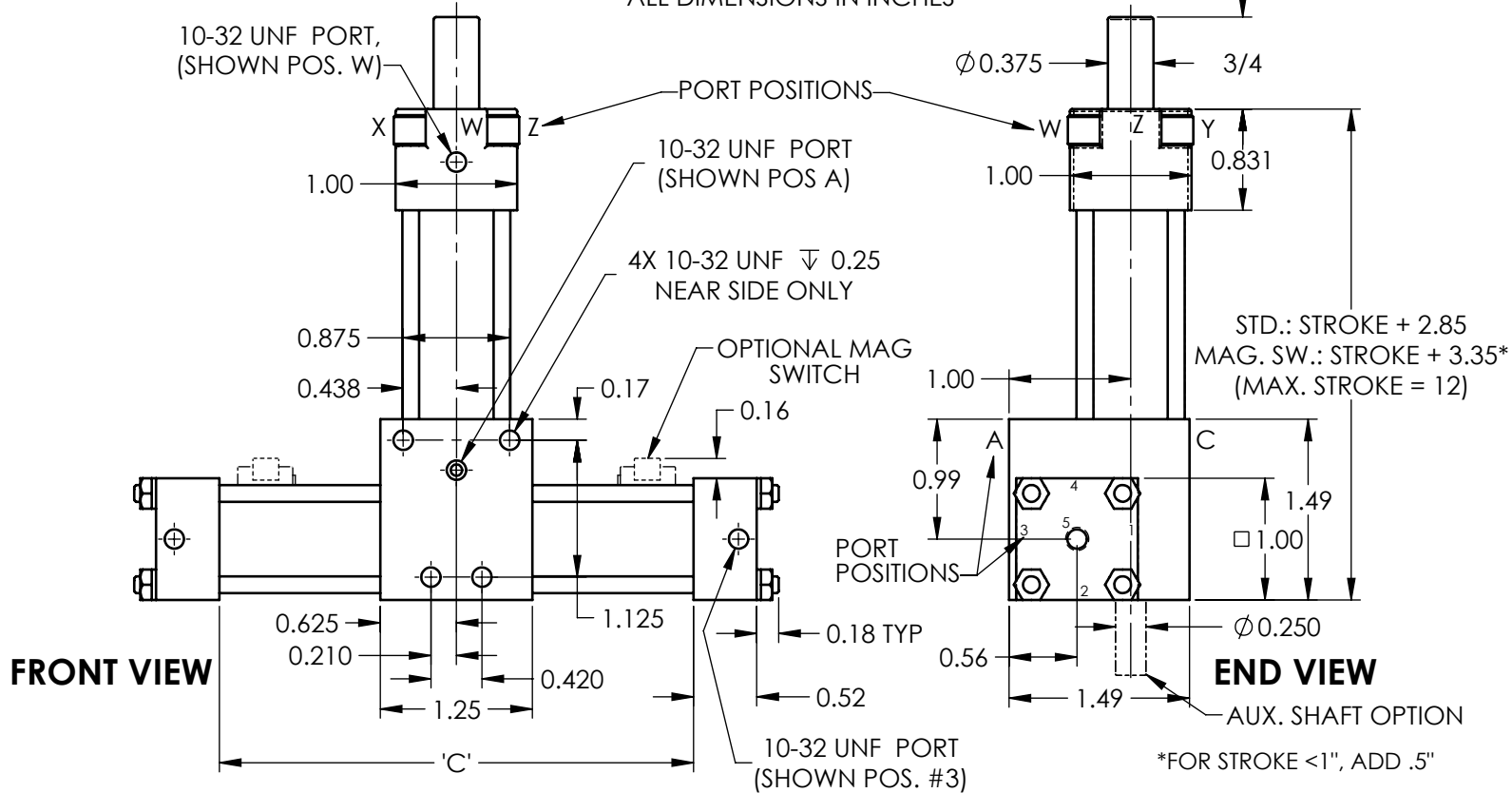
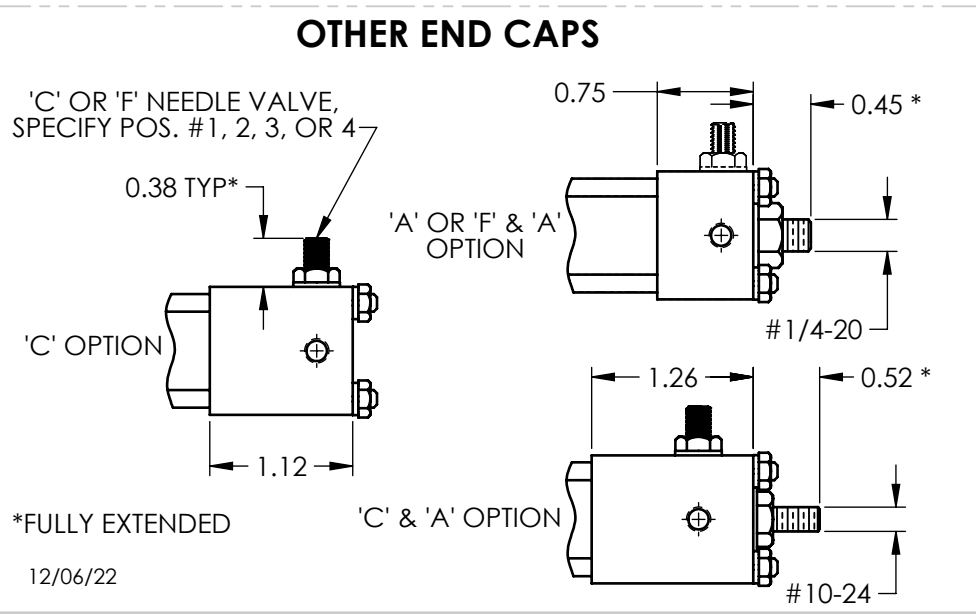


PA01 PICK & PLACE ACTUATOR

ALL DIMENSIONS IN INCHES



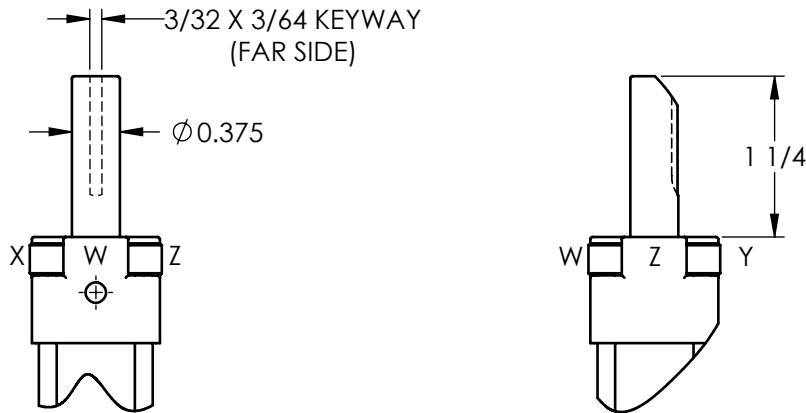
'C' DIMENSION		
ROTATION -0/+6 (degrees)	STANDARD (inches)	'R' OR 'S' OPTION (inches)
30	1.43	4.06
45	1.5	4.13
60	1.72	4.2
90	1.89	4.2
100	1.98	4.2
120	2.15	4.2
180	2.68	4.2
190	2.76	4.2
270	3.46	4.2
360	4.25	4.75
370	4.33	4.83
540	5.82	6.32
550	5.9	6.4
720	7.39	7.89
730	7.48	7.98



OPTIONS: ADD TO 'C' DIM. PER SIDE		
'Q' OPTION	'Q' & 'A' OPTION	'HP', 'A', OR 'K' OPTION
0.06	0.29	N/A
RATINGS		
Torque Factor, Extended (in-lb/psi)	0.058	
Torque Factor, Retracted (in-lb/psi)	0.066	
Force Factor, Push (lb/psi)	0.31	
Force Factor, Pull (lb/psi)	0.19	
Bore Diameter (in)	5/8	
Max. Working Pressure (psi)	100	
Backlash @ End of Stroke (degrees)	6.0	
Displacement (in ³ /deg.)	0.0013	
Weight: 180 deg. basic unit (lb)	0.9	
Operating Temp. Range (°F):	Basic	0 to 180
	'R', 'S', or 'Q' OPTION	0 to 160

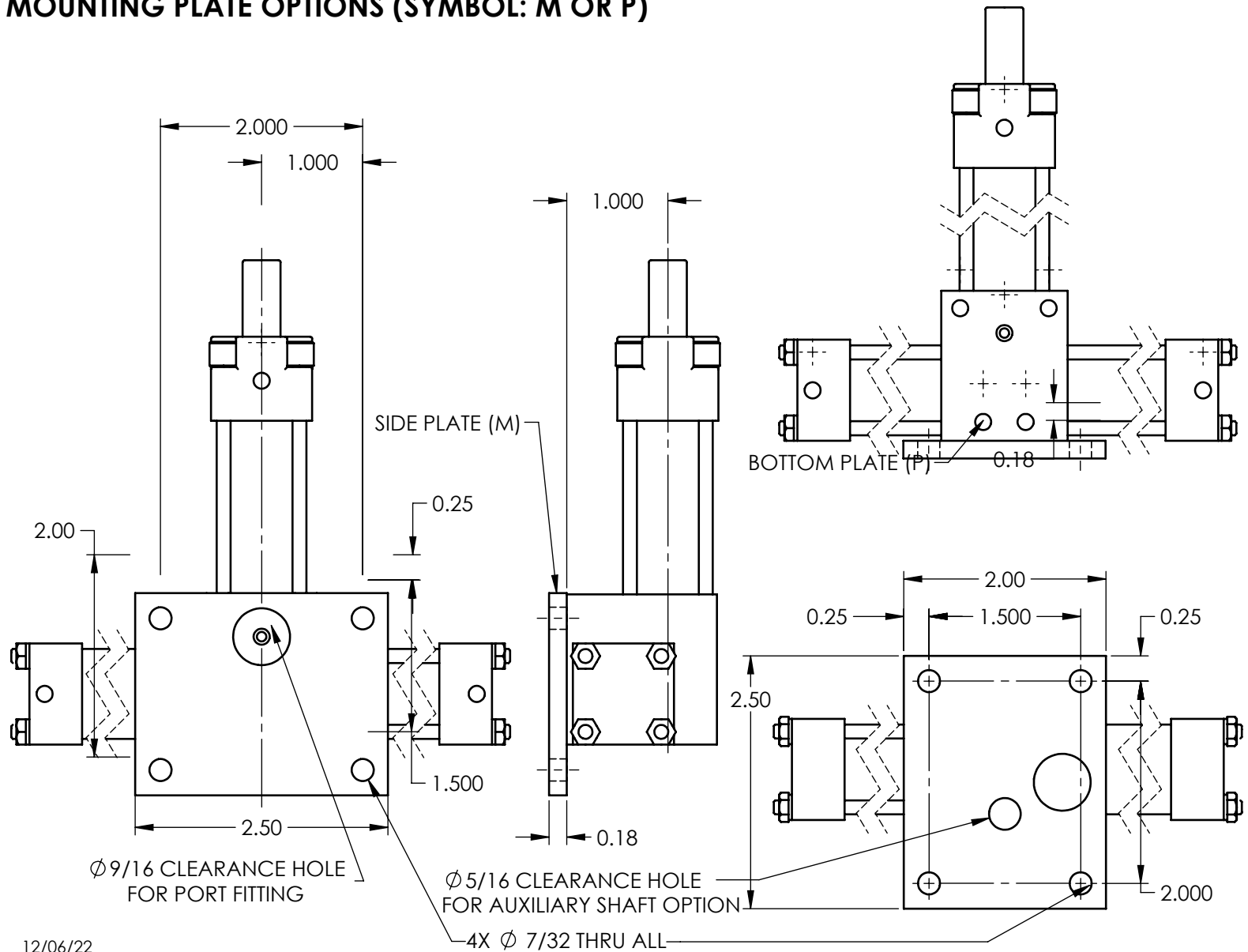


OPTIONAL ROD END (SYMBOL: B)



WORKS WITH SMA-37 (SHOWN AT MID-POINT OF ROTATION)

MOUNTING PLATE OPTIONS (SYMBOL: M OR P)



12/06/22